



BLENDING & MOVEMENT | BLEND CONTROLLER

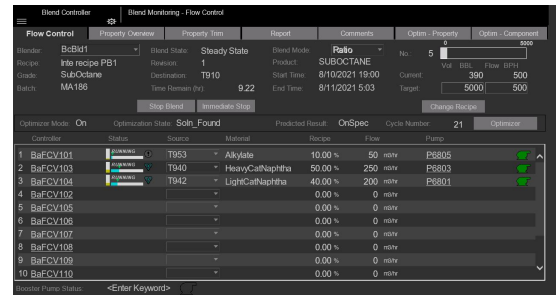
PRODUCT INFORMATION NOTE

Honeywell's Blend Controller (BC) is an application that controls the operation of in-line blenders for gasoline, distillate, fuel oil, crude, bitumen and chemical blending applications. BC ensures that components are blended in accordance with blend recipe specifications by controlling the pumps and flow controllers associated with the blending application.

Key Capabilities

Blend Controller is part of Honeywell's Blending Suite within the Blending and Movement Solution. BC provides the following key capabilities to support in-line blending processes which add several streams together in a common header at a ratio specified by the blend recipe:

- Blend Planning, Targets and Actuals Interfaces
- Automatic startup, operation and shutdown of the blender and associated equipment
- Master flow rate setpoint flow control
- Blend flow rate and volume control
- Recipe validation
- Maintenance of the component percentages and additive concentrations as dictated by the blend recipe
- Pacing of the blend flow rate when a controller is unable to meet a high flow demand
- Interface to property analyzers
- Analyzer signal validation
- Abnormal condition monitoring, taking corrective action as required



Blend Controller is integrated with Honeywell's Experion® PKS control system for accurate, flexible ratio control of in-line blending

Benefits

- Increased consistency of the blended material through in-line blending
- Reduced blending setup and execution time and increased blender throughput by automatic equipment sequencing and control
- Fewer reblend, and reduced inventory through accurate control of the component ratios according to the blend recipe
- More accurate property control through optional property trim control

- Provision for simple property trim control based on analyzer feedback
- Blend header pressure control
- Blend fly-switch - running of consecutive blends without stopping the pumps involved in the current blend
- Blend report generation, containing key blending information, at the completion of every blend

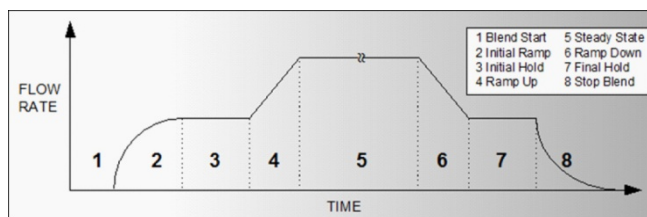
Blend Equipment and Flow Control

Once the blend recipe is validated and an operator chooses to start a blend, BC starts the component and additive pumps in a configured sequence and manages the opening of the flow controllers. Component and additive flow rates are manipulated to ensure accurate volumetric blending during both steady state and transient ramping conditions.

The total flow rate is held at an initial hold rate during start-up to allow the analyzer signals to stabilize. Once analyzer stability is achieved, BC slowly ramps the flow to the steady state target flow rate. The flow controller setpoints are based on a master flow rate setpoint.

When the total accumulated volume is within the shutdown volume of the target volume, the flow rates are ramped down by BC. Once the target volume is reached, BC shuts down the pumps and controllers.

Prior to the completion of a blend, the blend may be shut down and restarted either manually or under emergency or error conditions.



BC controls blends according to a configurable blender flow rate profile

Pacing

Pacing occurs when one of the flow controllers indicates that it cannot sustain its requested flow. Pacing can be caused by one of the following conditions:

Output High	The requested output of a flow controller is higher than the configured maximum.
Deviation Low	The difference between the flow controller's SP and PV is greater than a configured percentage.
Setpoint High	The flow controller's setpoint is higher than the configured maximum.

BC monitors the blend for pacing and decreases the total blend flow rate to a level sustainable by all controllers, ensuring that simultaneous component ratios are maintained. In cases where the blend flow cannot be decreased enough to maintain component ratios, or where a component flow drops below its low limit, BC can be configured to shut the blend down. Flexible pacing ensures that accurate blend ratios are maintained under abnormal conditions such as equipment malfunctions.

Property Trim Control

Property trim control provides the ability to correct a selected property by changing a specified component's flow rate. With gasoline blending, for example, alkylate may be selected to trim octane. This correction is done independently, without accounting for the effect selected components may have on other properties. For example, increasing the butane of a blend to correct Reid Vapour Pressure (RVP) will also increase the octane of that blend. Trim control can help ensure that blend properties are within specifications and reduce product giveaway and re-blends.

Blend Header Pressure Control

The blend header may be equipped with a pressure controller. This controller is used to maintain stable blend pressure, resulting in fewer deviations in component flow.

BC supports specification of header pressure for each blend state. Normally, the pressure controller controls header pressure to its setpoint. During the start of the blend, BC controls the output of the pressure controller directly. The operator can manually override this and adjust the output.

Property Analyzer Interface

BC provides an interface to on-line property analyzers with functions that include analyzer signal validation, instantaneous property values, average property calculation (header and tank property averages), and analyzer status monitoring and property error calculations. Analyzer signal validation is provided by standard control block input checking and includes low rate of change, high rate of change and analyzer range. Analyzer feedback can be used by BC for property trimming, or when integrated with Honeywell's Blend Optimizer, for property optimization, thus enabling BC to achieve accurate property control as well as ratio control.

Blend Fly-Switch

BC supports the running of consecutive blends without stopping the pumps involved in the current blend. This capability, known as the Blend Fly-Switch, is a mode of operation whereby a new blend is started without stopping the common pumps and flow controllers used in the current blend.

In this mode, the switch is activated manually or upon reaching a specified blend "switch volume". Blend data for the current blend, such as component volumes, is captured for reporting before being re-initialized for the start of the new blend. Flow totalizers, blend volume, property averages and analyzer property errors are reset and a new blend begins. The blend number for the new blend is automatically incremented.

During the transition to the new blend, pumps and flow controllers used in the previous blend that are required for the new blend will continue running. Pumps no longer needed in the new blend will also be stopped.

Blend Fly-Switch adds flexibility to Blend Controller to support in-line blending to pipelines and other situations where blending operation needs to continue uninterrupted.

Blend Report Generation

BC automatically generates a new blend report each time a blend is started or closed, and whenever the blend destination is changed in a running blend (i.e. on a destination swing). Blend reports can also be generated on demand and are usually customized for each site. Separate reports are maintained for each blender configured in BC.

Each report contains the values for a predefined list of parameters at the time of the report. The data collected normally includes:

- General blender information
- Component and additive data
- Property data

```

14-Dec-04 11:06:53 RPT001: BlendRpt1 :                               Demanded : Page 1
Blend Report 1

      EEC Mogas 1      Blend Report
      =====

Grade      :REGULAR
RECIPE ID  :RecipeMapped          BLEND NO    :          21
BATCH ID   :Test Batch I          HEELVOLUME :          22.00
TARGET Volume : 10000.00         BLENDED VOLUME :          402.37
Blend State :Steady State          Event       :Demand Print
START TIME  : 10:52 14-Dec-2004   DESTINATION TANK :D7k104

COMPONENT      TANK      ORIGIN %    CURRENT VOL  CURRENT % UNITS
=====
Alky           STk101      30.00       132.48      31.48 m3
Cat Gas       STk102      40.00       156.28      36.94 m3
Reformate     STk103      20.00       87.98       21.01 m3
Butane        STk104      10.00       44.16       10.57 m3
              0.00       0.00       0.00 m3

ADDITIVE      TANK      ORIGIN CONC  CURRENT VOL  CURRENT CONC
=====
NTBE          STk105      123.00       0.05        130.35

PROPERTY      HEEL  SPEC  HEADER AVERAGE  TANK AVERAGE  UNITS
=====
RON           92.00  90.00  98.30           94.91
NCN           85.00  80.00  0.00            85.00
RVP           0.00  11.00  0.00            0.00

```

Typical blend report generated by Blend Controller

BC on the Experion Platform

Blend Controller is designed to run on the Experion PKS architecture for distributed control of the field equipment used in the blending and movement operations. Experion graphics are used as the basis for BC user interface.

Blend Controller makes use of standard Honeywell Experion PKS functions such as control algorithms, messages, logging, as well as alarming and event journaling.

Running on C300 controllers, Blend Controller supports controller redundancy. Alternatively, BC may run on the Experion ACE node; however, Experion ACE does not support redundancy.

Integration with Honeywell Applications

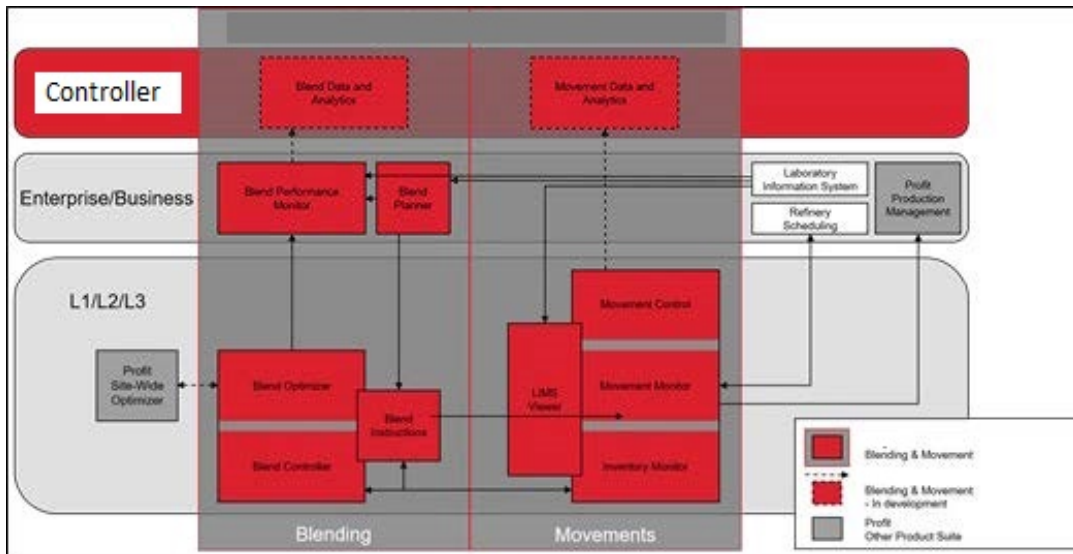
Blend Controller (BC) is a key component of Honeywell's Blending Suite, which is part of the Blending and Movement Solution. Other components of Honeywell's Blending Suite are:

- BLEND - Offline multi-period blend planning and event-based scheduling
- Blending Instructions - Interface for management and transfer blend recipes / instructions
- Blend Optimizer - Online blend control with dynamic recipe adjustment
- Blend Performance Monitor - Collect, store, manage blend performance metrics

Together, these components form Honeywell's Blending Suite, a set of integrated tools to deliver optimum in-line blending.

The **Blending Instructions** application is used to specify how a blending operation is to proceed in the field. Each set of blending instructions contains data that uniquely describes a blend and its associated property model. Blending Instructions provides facilities for creating, editing, copying and deleting blending instructions that are, in turn, used by BC users to define blending operation requirements and ensure that the settings match the physical blending process in the field. These facilities may also be used to define blending operation requirements for field personnel.

Blend Optimizer provides advanced blend optimization and recipe downloading (through Blending Instructions) to reduce component usage and property giveaway. The blend plan and recipes may be downloaded from Honeywell's BLEND multi-period blend planning application to BC via the Blending Instructions application.



Blend Controller is a key component of Honeywell's Blending Suite and integrates with other Honeywell applications

BC blend data is collected, along with data from other sources, by Honeywell's **Blend Performance Monitor** application, where actual blend data can be archived and reported upon as well as compared to planned performance.

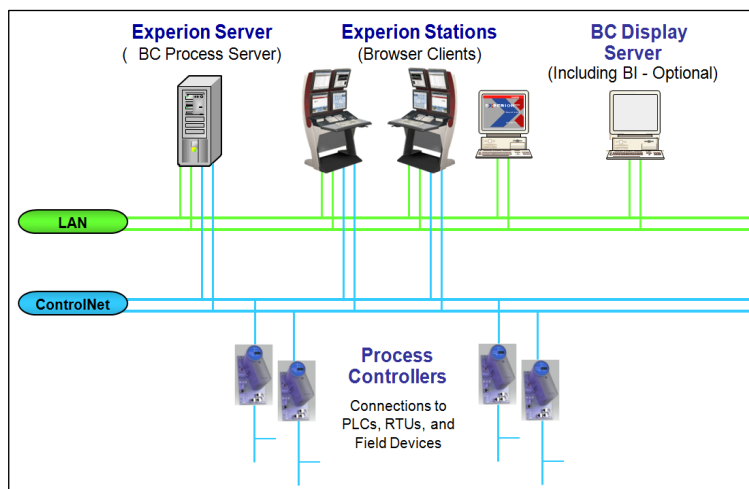
When BC is being used with Honeywell's **Movement Management** application for movement monitoring and control, component volumes may be uploaded from BC to **Movement Management** for controlled execution of blend movements. In this case, **Movement Management** handles open/close of valves and start/stop of pumps while BC controls flow rates.

Integration with Non-Honeywell Applications

Blend Controller is also designed to allow non-Honeywell applications to be interfaced via OPC and XML. BC may accept blend recipes from a non-Honeywell optimization application through the Blending Instructions application. BC may also be used for blend ratio control over non-Honeywell DCSs using the Experion system's OPC connectivity.

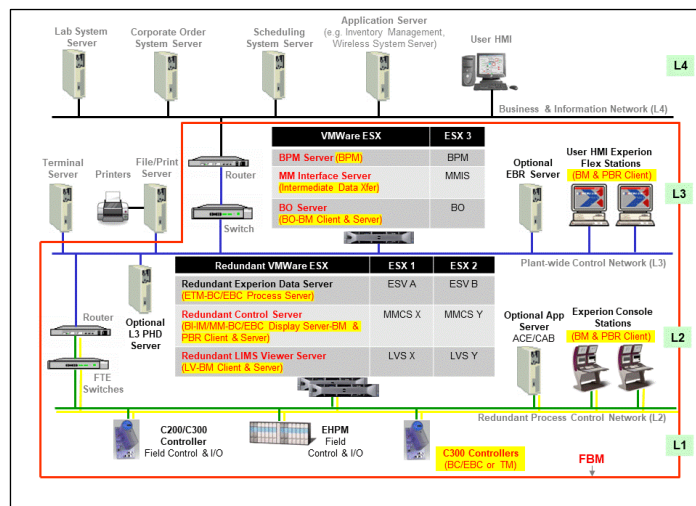
System Requirements and Architecture

BC is designed to operate within the Experion PKS environment. The following illustration shows the hardware architecture recommended for BC when loaded on the Experion Process Controllers. Contact Honeywell for the latest list of supported Experion PKS releases.



Sample BC Architecture for Experion Controller-based Systems

BC software is split between two servers, the BC Process Server and the BC Display Server. These application servers can be set up together on an Experion Server or on separate, network connected computers. These servers run Windows Server 2019 (64-bit) and SQL Server 2019 (64-bit). The BC servers typically require one Intel Xeon E-2124, 3.3GHz, 4 Core or faster processor with at least 16GB RAM and 2 x 1TB hard disk space. For specific Honeywell computer E Platforms and supported software that meet these requirements, please contact your Honeywell representative.



Sample Blending and Movement System Architecture

Support Services

This product comes with worldwide, premium support services through our Benefits Guardianship Program (BGP). BGP is designed to help our customers to improve and extend the usage of their software and the benefits they deliver, ultimately maintaining and safeguarding their advanced software.

Training Services

Training courses addressing Blend Controller implementation, use and maintenance are available through Honeywell's Automation College (www.automationcollege.com). On-site courses are also offered upon request.

This document is a non-binding, confidential document that contains valuable proprietary and confidential information of Honeywell and must not be disclosed to any third party without our written agreement. It does not create any binding obligations on us to develop or sell any product, service or offering. Content provided herein cannot be altered or modified and must remain in the format as originally presented by Honeywell. Any descriptions of future product direction, intended updates or new or improved features or functions are intended for informational purposes only and are not binding commitments on us and the sale, development, release or timing of any such products, updates, features or functions is at our sole discretion.

For More Information

Learn more about Honeywell's Blend Performance Monitor can improve the performance of your blending operations, visit www.honeywellprocess.com/software or contact your Honeywell Account Manager.

All product screenshots shown in this document are for illustration purposes only; actual product may vary.

Honeywell® is a trademark of Honeywell International Inc. Other brand or product names are trademarks of their respective owners

Honeywell Connected Enterprise

715 Peachtree Street NE
Atlanta, Georgia 3030
Honeywell

PIN-02-23-ENG
February 2023
© 2023 Honeywell International Inc.

