

ECOMAX[®] LE BURNER

Achieve Class-Leading
NO_x Emissions

ECOMAX LE is Honeywell's next generation self-recuperative burner for indirect radiant tube heating. Available today in three ceramic indirect sizes, ECOMAX LE is based on the industry-leading ECOMAX platform – delivering the quality, technology and depth of engineering users have come to expect from the ECOMAX brand.

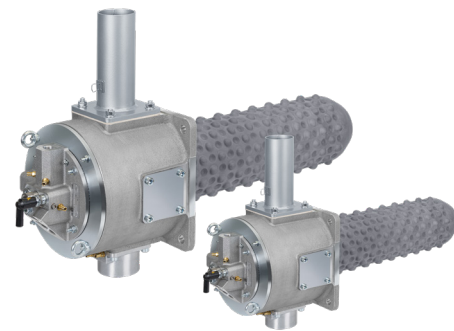
MEETS CHALLENGING, GLOBAL REGULATORY REQUIREMENTS

ECOMAX LE is designed for furnace OEMs that need to meet ever-tightening emissions requirements worldwide as well as end users that want to upgrade heat treatment process equipment, including batch furnaces and continuous annealing lines.

The solution offers best-in-class NO_x emissions and improved efficiency thanks to its ability to operate in flameless mode as well as a redesigned recuperator. The burner runs in flame mode until a switching temperature of 850°C (1560°F) is reached, then switches to flameless mode for the best NO_x performance.

OFFERS EASY, INTUITIVE OPERATION AND A WIDE RANGE OF FEATURES

Incorporating Honeywell's next generation, IIoT-ready BCU 4 burner control unit, ECOMAX LE features easy-to-use on/off or high/low/off (NFPA) control with direct spark ignition in flame mode. In low-NO_x (flameless) mode it uses temperature supervision, which requires a separate SIL rated zone control unit such as a PLC or Kromschroder FCU furnace control device.



SIZES AND KEY FEATURES

Based on users' application requirements, three burner sizes are available, with a capacity range of 21 to 100 kW (80 to 380 kBTU/h):

Size 1:

- Radiant tube size OD/ID: SER-C 142/128
- Capacity: 21.6kW to 36kW (80 kBTU/h to 136 kBTU/h)

Size 2:

- Radiant tube size OD/ID: SER-C 162/148
- Capacity: 36kW to 60kW (136 kBTU/h to 227 kBTU/h)

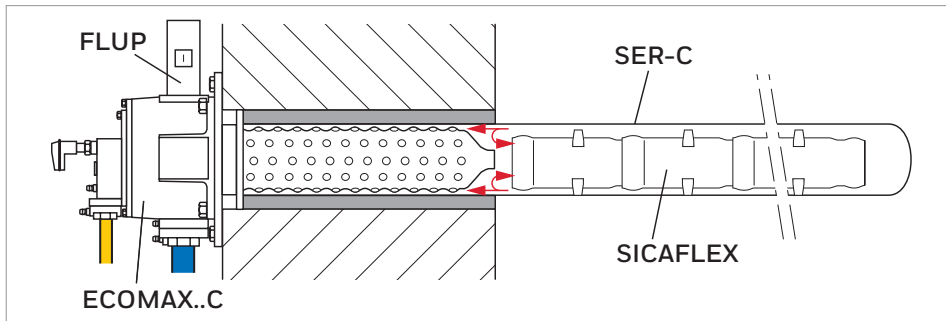
Size 3:

- Radiant tube size OD/ID: SER-C 202/188
- Capacity: 60 kW to 100kW (227 kBTU/h to 380 kBTU/h)

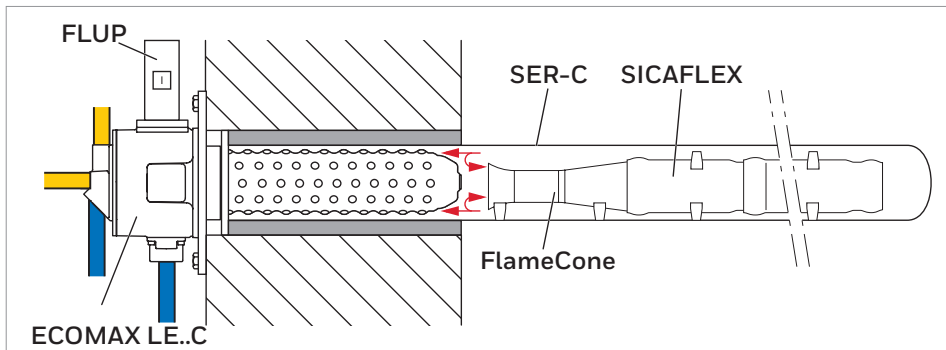
Honeywell

DIFFERENCES BETWEEN ECOMAX AND THE NEW ECOMAX LE

Both systems work with exhaust recirculation.



ECOMAX radiant tube heating



ECOMAX LE radiant tube heating

WHY HONEYWELL?

Honeywell has a rich heritage through the strategic acquisition of Eclipse, Elster, Exothermics, Hauck, Kromschroder and Maxon. Now comprising an integrated, end-to-end offering, the breadth and depth of Honeywell's thermal solutions portfolio makes it the largest player in the sector.

Clever, intuitive product designs reflect Honeywell's substantial investment in R&D. Innovation is one reason why customers choose Honeywell over competing offerings.

Honeywell has designed its burner portfolio with sustainability in mind, helping customers comply with industry regulations and meet their environmental commitments.

For More Information

To learn more about ECOMAX LE or other Honeywell solutions and services, visit [ThermalSolutions.Honeywell.com](https://www.thermalsolutions.honeywell.com) or contact your Honeywell sales engineer.

The Honeywell Thermal Solutions family of products includes Honeywell Combustion Controls, Honeywell Combustion Safety, Honeywell Combustion Service, Eclipse, Exothermics, Hauck, Kromschroder and Maxon.

Honeywell Process Solutions

Honeywell Thermal Solutions (HTS)
2101 CityWest Blvd, Houston, TX 77042
Strothweg 1, 49504 Lotte, Germany
Building #1, 555 Huanke Road,
Zhangjiang Hi-Tech Industrial Park,
Pudong New Area, Shanghai 201203
www.honeywellprocess.com

FL-19-03-ENG | V1 | 06/21
© 2021 Honeywell International Inc.

KEY SPECIFICATIONS AND FEATURES OF ECOMAX LE

- Best in class NO_x performance: < 100ppm NO_x in all flameless capacities, as low as 25ppm NO_x (corrected to 3% O₂) in certain ranges
- Up to 7% improved efficiency over the original ECOMAX model
- Standard length: 545 mm/20"
- Natural gas/gas supply pressure: 80 mbar/32" w.c.
- Air supply pressure: 90 mbar/36" w.c.
- Flame and flameless modes with a switching temperature of 850°C (1560°F)
- Identical in footprint to the standard ECOMAX model, making upgrading easy
- IIoT-ready BCU 4 burner control unit incorporates bus modules for seamless connection with PROFIBUS, PROFINET and EtherNet/IP
- Worldwide solutions capable of on/off as well as high/low control
- Each size comes equipped with BCU 4 Series burner control, air and fuel control valves, radiant tubing, tube inserts and piping

THE
FUTURE
IS
WHAT
WE
MAKE IT

Honeywell