

ENRAF TANK FARM

GATEWAY CIU 888

The next generation CIU for reliable, accurate gauge and inventory data



Honeywell

GLOBAL EXPERIENCE. LOCALLY APPLIED.

Honeywell's Enraf Tank Farm Gateway CIU 888 is the critical link between tank gauging equipment and control room systems. It provides the operator with reliable, accurate, real-time tank inventory data 24 hours a day, 7 days a week. Replacing the legacy 858 and 880 series, the CIU 888 serves as the data acquisition unit for tank measurement equipment, continuously scanning gauge data. It is used to calculate accurate tank inventory data according to international standardized calculation methods, such as the API, ASTM, GPA and many others.

All measured and calculated data is directly available for use by host applications such as the inventory management system, the DCS or management information system via multiple dedicated serial host links and network interfaces. Support of multiple protocols guarantees simple and reliable connectivity of installed field equipment to the control room. The modular design provides a flexible upgrade path for the future.

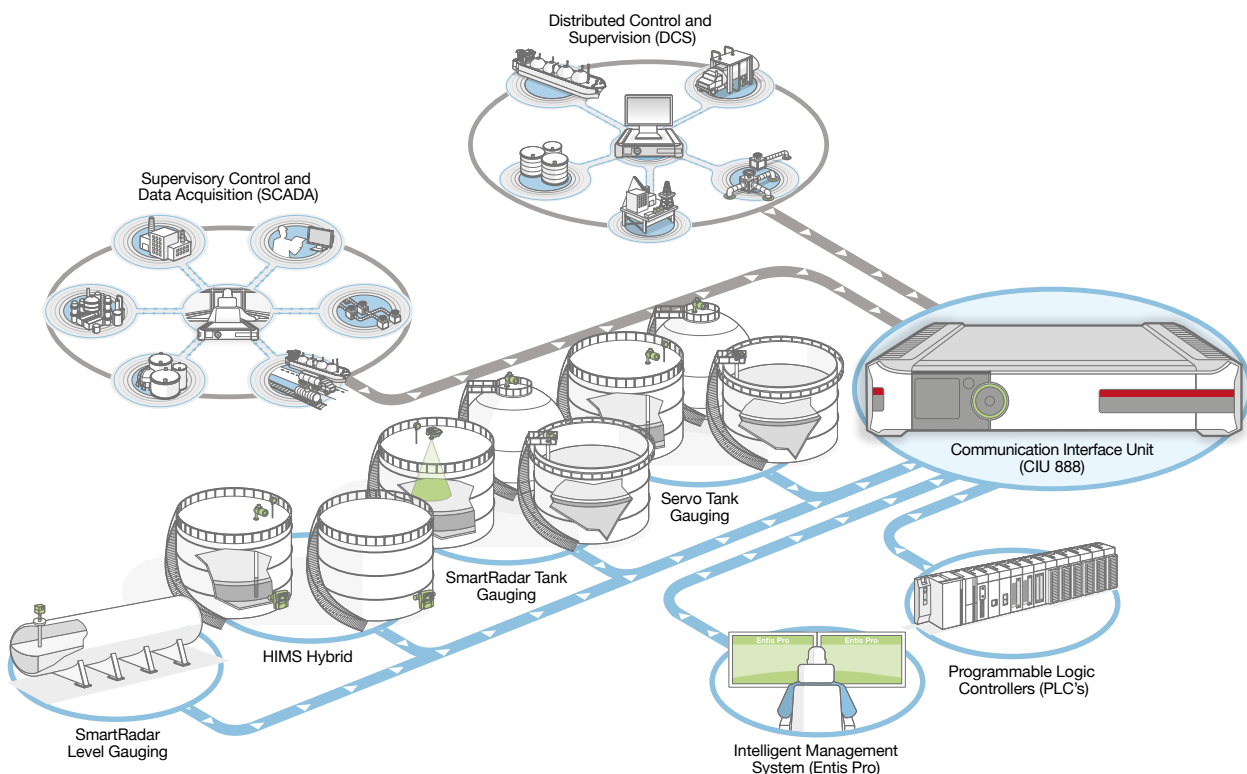
ENHANCED CONNECTIVITY

The CIU 888 (pronounce as "triple eight") series is the first fully Ethernet enabled CIU available in the market. While previous generations of tank interface units have been based mostly on serial interfaces, the CIU 888 offers connectivity via multiple Ethernet ports. Internal firewalls enable safe and secure connections with multiple systems simultaneously, control systems and Office LAN cannot interfere due to strict segregation. A dedicated service LAN port on the front provide technicians easy access to configure the unit locally and to communicate with the field equipment. Also here the layered security model (LCSM),

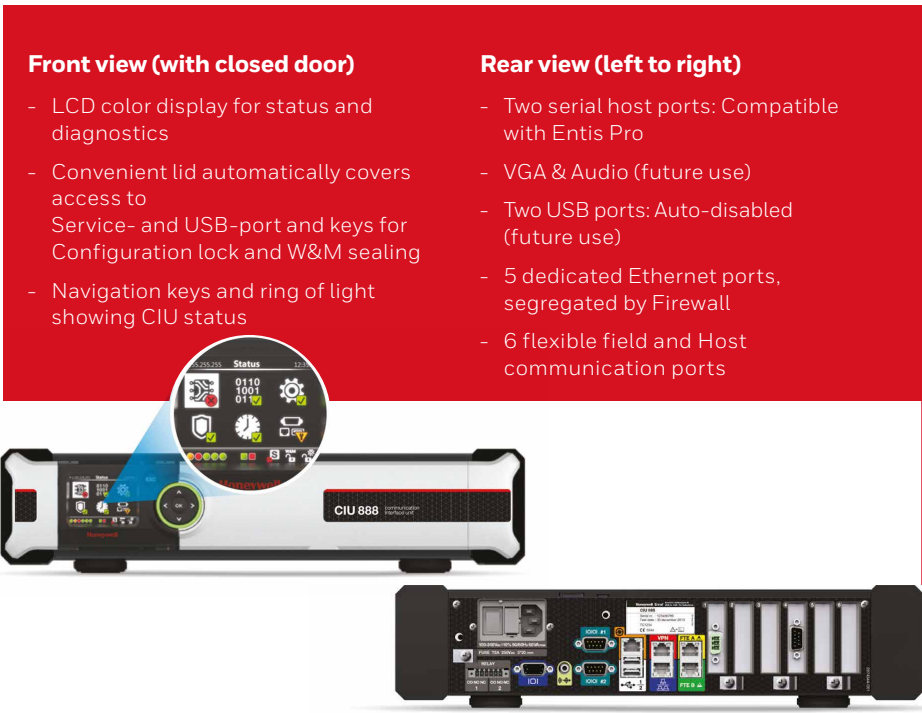
with user and access profiles, helps to promote safety and security.

The CIU 888 robustness is based on strict industrial design rules. All boards are tropicalized (acc. ISA 71.04), and the CAE thermal design using heat-pipes instead of conventional fans results in a full ruggedized, all-solid-state, non-moving parts solution, built to last. Unique redundancy features will ensure uninterrupted data availability to all users. Redundant Ethernet ports complete the redundancy concept, simplifies implementation further reducing costs and ensure uninterrupted availability of data.

An easy-to-read colour display at the front provides diagnostic information, easy to



interpreted, supporting faster service. The graphic diagnostic dashboard combined with a ring of light (a color-coded LED ring surrounding the key pad) provides an at-a-glance and unambiguous indicator of system health and availability.



Front view (with closed door)

- LCD color display for status and diagnostics
- Convenient lid automatically covers access to Service- and USB-port and keys for Configuration lock and W&M sealing
- Navigation keys and ring of light showing CIU status

Rear view (left to right)

- Two serial host ports: Compatible with Entis Pro
- VGA & Audio (future use)
- Two USB ports: Auto-disabled (future use)
- 5 dedicated Ethernet ports, segregated by Firewall
- 6 flexible field and Host communication ports

Modbus TCP/IP communication between the CIU 888 and the host systems is established through FTEA, FTEB and Office LAN ports. CIU 888 exposes the same data (Modbus maps) over the Ethernet host ports as that exposed in the serial host ports.

TECHNICAL SPECIFICATIONS—FUNCTIONAL (SOFTWARE)

GENERAL

Description	Field scanning and communication interface for tank inventory applications with optional embedded tank inventory calculation functionality.
Application	For all applications requiring accurate and reliable process and inventory data, such as refineries, tank farms and terminals. Data is suitable for custody transfer, safe product transfer and tank farm operation.
Intended Use	Control room equipment
Legal Metrology and Custody Transfer	Compliant to API-standards as stated by approval and certification by notified bodies as NMI.

FUNCTIONAL SPECIFICATION

Tank Database	80 tanks (one gauge per tank) 40 tanks (two gauges per tank)												
Redundancy	Hot standby, real-time synchronization (redundancy controlled by Entis Pro or modbus host)												
Supported Gauge Models	All GPU enabled tank gauges (such as 811, 813, 866, 854, 872, 873, 877, 894, 990, 954) & Emerson TRL/2												
Gauge Commands	<table border="1"> <tr> <td>• Lock test</td> <td>• Unlock</td> <td>• Block</td> </tr> <tr> <td>• Freeze</td> <td>• Calibrate (854, 894)</td> <td>• Density dip</td> </tr> <tr> <td>• Alarm test (SmartRadar)</td> <td>• Water dip</td> <td></td> </tr> </table>	• Lock test	• Unlock	• Block	• Freeze	• Calibrate (854, 894)	• Density dip	• Alarm test (SmartRadar)	• Water dip				
• Lock test	• Unlock	• Block											
• Freeze	• Calibrate (854, 894)	• Density dip											
• Alarm test (SmartRadar)	• Water dip												
Tank Scanning	6 field ports sequential and/or parallel, refresh rate 2-4 sec. ¹												
Inventory Calculations	Conform API MPMS Ch. 12.1												
Tank Capacity Tables (strapping tables)	Up to 5000 straps per tank, 400000 straps total												
Support API/ASTM Product Calculations	<ul style="list-style-type: none"> • ASTM D1250-80; conform Vol. X—Tables, 5, 6, 23, 24, 53, 54, 59, 60 and 59, 60 Commodities Product groups A, B, C & D • API MPMS Ch. 11.1 (2007; adj. to ASTM D1250-04 and IP-200)—Tables, 5, 6, 23, 24, 53, 54, 59, 60 and 59, 60; Product groups A, B, C, D • API MPMS Ch. 11.2.4 (GPA TP-27)—Tables, 5, 6, 23, 24, 53, 54, 59, 60 and 59, 60; Product group E • ASTM D4311-83—Tables 1 and 2 • ASTM D4311-96—Table 1 • ASTM D4311-04—Tables 1 and 2 												
Available Gauge Data ²	<table border="1"> <tr> <td>• Product level</td> <td>• Gauge status and alarms</td> </tr> <tr> <td>• Product temperature</td> <td>• Vapor temperature</td> </tr> <tr> <td>• Vapor pressure</td> <td>• Ambient temperature</td> </tr> <tr> <td>• Water level</td> <td>• Observed density (Servo, HTG, HIMS)</td> </tr> <tr> <td>• Temperature Profiles</td> <td>• Density Profiles</td> </tr> <tr> <td>• Product pressure</td> <td></td> </tr> </table>	• Product level	• Gauge status and alarms	• Product temperature	• Vapor temperature	• Vapor pressure	• Ambient temperature	• Water level	• Observed density (Servo, HTG, HIMS)	• Temperature Profiles	• Density Profiles	• Product pressure	
• Product level	• Gauge status and alarms												
• Product temperature	• Vapor temperature												
• Vapor pressure	• Ambient temperature												
• Water level	• Observed density (Servo, HTG, HIMS)												
• Temperature Profiles	• Density Profiles												
• Product pressure													
Available (Calculated) Inventory Data	<table border="1"> <tr> <td>• Volume (TOV, GOV, GSV, NSV)</td> <td>• Mass (Liquid, vapor, total)</td> </tr> <tr> <td>• Reference density</td> <td>• Volume correction factor (VCF, CTL)</td> </tr> <tr> <td>• S&W, Vapor (4 types), DCF, TCF, manual CTL</td> <td>• Volume derived flow</td> </tr> </table>	• Volume (TOV, GOV, GSV, NSV)	• Mass (Liquid, vapor, total)	• Reference density	• Volume correction factor (VCF, CTL)	• S&W, Vapor (4 types), DCF, TCF, manual CTL	• Volume derived flow						
• Volume (TOV, GOV, GSV, NSV)	• Mass (Liquid, vapor, total)												
• Reference density	• Volume correction factor (VCF, CTL)												
• S&W, Vapor (4 types), DCF, TCF, manual CTL	• Volume derived flow												

(cont. next page)

FUNCTIONAL SPECIFICATION (CONT.)

Clock & Time Synchronization	External using Entis Pro or Modbus host systems such as DCS	
Supported Engineering Units	Level	m, mm, ft, in, in/16 and ft-in-16 (fis)
	Temperature	°C, °F
	Density	kg/m ³ , °API, lb/ft ³ , RD60/60, lb/USgal
	Pressure	kgf/cm ² , kPa, psi(g), Pa
	Volume	m ³ , USgal, bbl, l(L)
	Mass/Weight	kg, lb, metric ton, long ton, US ton
	Flow	m ³ /min, m ³ /h, l/min, bbl/min, bbl/h, USgal/min, USgal/h, UKgal/h
Available Tank Correction Methods	<ul style="list-style-type: none"> • CTS³ • Floating Roof Weight 	
Temperature and Density Profiles	<ul style="list-style-type: none"> • Temperature profiles - Periodic scanning of temperature profiles data up to 16 points from BPM and TRL/2 gauges and presentation in Modbus output (RTU and TCP/IP) based on configuration. • Density profiles - Density profiles data collection up to 10 density points from Honeywell Servo gauges and presentation in Modbus output (RTU and TCP/IP) based on user command. 	

HOST CONNECTIVITY

Serial Ports	2x modbus serial (+ 4 additional ports by using optional slots)
Supported Host Protocols	<ul style="list-style-type: none"> • Serial modbus (Slave) • CIU 858 emulation • CIU 880 Prime/Plus emulation (serial modbus)
Ethernet/LAN	3x Modbus TCP/IP ethernet (FTEA, FTEB and Office LAN)

FIELD CONNECTIVITY

Field Ports	6x option slots (of which 4 ports can be used for serial host connectivity)
Wireless Connectivity	ISA 100 via Honeywell WDM through TCP/IP to serial converters
Available Option Boards	Enraf BPM fieldbus, Serial modbus (master) and Serial GPU input and TRL/2 Fieldbus

COMPLIANCE & CERTIFICATIONS

Electrical Safety	<ul style="list-style-type: none"> • IEC 61010-1:2010 (3rd edition) • EN 61010-1:2010
European Directives	CE: <ul style="list-style-type: none"> • 2006/95/EC (Low voltage directive) • 2004/108/EC (EMC) • CAN/CSA-C22.2 No. 61010-1-12 • UL Std. No. 61010-1 (3rd Edition)
Self Monitoring & Diagnostics	Designed for compliance with NAMUR NE 107
Legal Metrology (Weight & Measures)	<ul style="list-style-type: none"> • NMI – Netherlands

CIU 888 OPTION BOARD SPECIFICATIONS

ENRAF BPM FIELD BUS CARD (POS 8 TO 13 = B)

Physical Layer	2-wire Bi-phase mark modulated (MIL-STD-1553)
Supported Protocol(s)	Enraf BPM
Typical No. Field Devices	10-15, depending on cable spec and length
Baud Rate	1200/2400/4800 Baud
Distance	10 km or more depending on cable characteristics
Cable Characteristics	1 uF/200 Ohm max.
Type of Galvanic Isolation	Transformer coupled with ground shield
Galvanic Isolation	1500 V

TRL/2 FIELD BUS CARD

Physical layer	Emerson TRL/2 Protocol
Supported Protocol(s)	Modbus RTU
Typical No. Field Devices	8
Baud Rate	4800 Baud
Distance	4 km
Cable Characteristics	18 AWG (minimum) with shielded twisted pair, max 4 kms with max 8 multi drop Gauge connections
Type of Galvanic Isolation	Transformer coupled with ground shield
Galvanic Isolation	1500 V

(cont. next page)

ENRAF SERIAL COMMUNICATION CARD (GPU MASTER (INPUT), MODBUS MASTER (INPUT) AND MODBUS SLAVE (HOST))

Physical layer	2-4 wire RS-485 or RS-232C
Protocol(s)	<ul style="list-style-type: none"> • GPU Master (Field communication) • Modbus Master (Field communication) • Modbus Slave (Host communication)
Baud Rate	1200 up to 38400 Baud
Type of Galvanic Isolation	Opto isolation
Galvanic Isolation	1500 V
Number of Modbus Slave Devices (for modbus master field communications)	<ul style="list-style-type: none"> • 32 modbus field devices (RS 485) multi-dropped. • 1 modbus field device (RS232) • 50 devices can be configured (If connected through a converter/concentrator)

TECHNICAL SPECIFICATIONS—HARDWARE

ELECTRICAL

Power Supply	100-240 Vac, auto ranging (-15% to +10%), 45-65 Hz
Power Rating	Max. 60 VA (35 VA nominal)
Nominal Start-Up Current	60 mA (Fuse: 2A Slow Blow); Start up current is (inrush): 60mA @230V
Over Voltage Category	II (EN60664-1 : 2007)
Cooling System	2 heat sinks with heat pipe design (no moving parts)
Battery	Type 3V, 225mAh (for back-up system clock only—10 yrs. estimated life time)

OPERATING SYSTEM

O/S	Linux Arch
Memory	4 GB Flash memory (upgradable)

USER INTERFACE AND I/O

Front Panel Display	Backlight LCD color display (50 x 38 mm; 320 x 240 pixels) for status and diagnostics
User Input	6 switches (←, →, ↑, ↓, OK and Esc) with LED (ring of light) status indication
Key Lock Switches	2x (for configuration, resp. W&M sealing)
Serial Ports	2x non-isolated RS-232C
Ethernet Ports	5x 10/100 Mb on back side (future use)
Service Ethernet Port	1x behind front panel—DHCP enabled, auto sensing, 10/100 Mb

ENVIRONMENTAL

Ambient Temperature	0 °C to + 60 °C (32 °F to 140 °F)
Storage Temperature	-20 °C to 85 °C (-4 °F to 185 °F)
Enclosure Classification	Against mechanical impact IP 30 (NEMA 1)
Humidity	0 to 90% non-condensing
EMC Class	CLASS A according to IEC61326 & OIML R85: 2008

MECHANICAL

Materials	<ul style="list-style-type: none"> • Enclosure: Acryl painted steel • Heat sinks (left and right side): Black anodized aluminum • Front panel: ABS/PPE
Dimensions (WxHxD)	400 x 93 x 283 mm (15¾ x 3¾ x 11¼ in.)
Weight	~ 7.5 kg (16.5 lb) (excluding option cards)
Installation	Wall mounting, 19" rack or table top (see Accessories)
Max. Load on Top (Table Top Use)	10 kg (22.0 lb)

AVAILABLE ACCESSORIES

19" installation bracket	Part no. A0888904	
Wall mounting bracket	Part no. A0888903	
Set Ethernet Cables	Part no. A0888911	
Set Ethernet cables	Part no. A0888911	
1 SYNC link	Orange	1 meter
2 FTE	Yellow/ Green	3 meter
1 LAN	Blue	2 meter
1 Remote Access	Red	3 meter
1 Service Port	Grey	3 meter

Identification Code – Hardware Configuration

Pos 1 Application

- U** For Inventory Control of Bulk Storage Tanks
- X** Compliant with National Legal Metrology Requirements (specify country)

Pos 2 Base Configuration Hardware

- S** CIU for Tank Inventory Management

Pos 3 Memory

- A** 4 GB Flash

Pos 4 Selection

- H** CIU 888 Hardware Configuration

Pos 5, 6, 7 Product designation

- 8** Communication Interface Unit

Pos 8 Field Card Slot 1

- Z** Not Used
- M** Serial Modbus Input (Master)
- T** TRL/2 Fieldbus
- B** Enraf Fieldbus (BPM)
- G** Serial GPU (input)

Pos 9 Field Card Slot 2

- Z** Not Used
- M** Serial Modbus Input (Master)
- T** TRL/2 Fieldbus
- B** Enraf Fieldbus (BPM)
- G** Serial GPU (Input)

Pos 10 Field and Host Communication Slot 3

- Z** Not Used
- M** Serial Modbus Input (Master)
- T** TRL/2 Fieldbus
- H** Host Serial Modbus (Slave)
- B** Enraf Fieldbus (BPM)
- G** Serial GPU (Input)

Pos 11 Field and Host Communication Slot 4

- Z** Not Used
- M** Serial Modbus Input (Master)
- T** TRL/2 Fieldbus
- H** Host Serial Modbus (Slave)
- B** Enraf Fieldbus (BPM)
- G** Serial GPU (Input)

Pos 12 Field and Host Communication Slot 5

- Z** Not Used
- M** Serial Modbus Input (Master)
- T** TRL/2 Fieldbus
- H** Host Serial Modbus (Slave)
- C** Host CIU Emulation
- B** Enraf Fieldbus (BPM)
- G** Serial GPU (Input)

Pos 13 Field and Host Communication Slot 6

- Z** Not Used
- M** Serial Modbus Input (Master)
- T** TRL/2 Fieldbus
- H** Host Serial Modbus (Slave)
- B** Enraf Fieldbus (BPM)
- C** Host CIU Emulation
- G** Serial GPU (Input)

Pos 14 Extended Memory

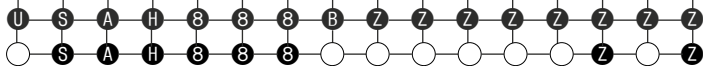
- Z** Not Installed

Pos 15 Tag Plate

- Z** Not Required
- T** Tag Plate Sticker Added

Pos 16 Not Used

- Z** Not Used



Typical Identification Code
Your Identification Code

Identification Code CIU 888 – Software Functionality 888

Pos 1 Application

- U** General purpose
- X** Legal Metrology Approved (NL)
- N** None (used in combination with Pos 20, in case Pos 1 doesn't need an upgrade)

Pos 2 Base Configuration Software

- S** Single CIU System
- R** Redundancy Enabled Per Unit
- N** None (used in combination with Pos 20, in case Pos 2 doesn't need an upgrade)

Pos 3 Functionality

- S** According Standard

Pos 4 CIU Type

- F** Tank Gauging Software Functionality

Pos 5, 6, 7 Product designation

- 8** **8** **8** Communication Interface Unit

Pos 8, 9 Interfacing and Calculations

- S** **1** Scanning Functionality
- V** **1** Scanning with integrated Volume Calculation module
- N** **N** None (used in combination with Pos 20, in case Pos 8,9 doesn't need an upgrade)

Pos 10 Web Monitoring

- S** Configuration and Diagnostics only

Pos 11 Host Communication OPC

- Z** No OPC-server

Pos 12 Host Communication Modbus TCP/IP

- Z** Not Enabled
- S** Standard Ethernet (Modbus slave)

Pos 13 Host Communication Fault Tolerant Ethernet

- Z** Not Enabled

Pos 14 Remote Diagnostics

- Z** Not Enabled

Pos 15 Temperature Profile

- Z** Not Enabled
- T** Temperature profile

Pos 16 Density Profile

- Z** Not Enabled
- D** Density profile

Pos 17, 18 Number of Tanks¹

- 0** **5** Tanks max.
- 1** **0** Tanks max.
- 2** **0** Tanks max.
- 3** **0** Tanks max.
- 4** **0** Tanks max.
- 5** **0** Tanks max.
- 6** **0** Tanks max.
- 7** **0** Tanks max.
- 8** **0** Tanks max.
- U** **0** Upgrade for 5 extra tanks (only if previous number of tanks was 5)
- U** **1** Upgrade for 10 extra tanks (till a maximum of 80 tanks / CIU) (Serial number and Licence required) only if Pos 20 = U
- U** **2** Upgrade for 20 extra tanks (till a maximum of 80 tanks / CIU) (Serial number and Licence required) only if Pos 20 = U
- U** **3** Upgrade for 30 extra tanks (till a maximum of 80 tanks / CIU) (Serial number and Licence required) only if Pos 20 = U
- U** **4** Upgrade for 40 extra tanks (till a maximum of 80 tanks / CIU) (Serial number and Licence required) only if Pos 20 = U
- U** **5** Upgrade for 50 extra tanks (till a maximum of 80 tanks / CIU) (Serial number and Licence required) only if Pos 20 = U
- U** **6** Upgrade for 60 extra tanks (till a maximum of 80 tanks / CIU) (Serial number and Licence required) only if Pos 20 = U
- U** **7** Upgrade for 70 extra tanks (till a maximum of 80 tanks / CIU) (Serial number and Licence required) only if Pos 20 = U
- N** **N** None (used in combination with Pos 20, in case Pos 17, 18 doesn't need an upgrade)

Pos 19 Language

- Z** English

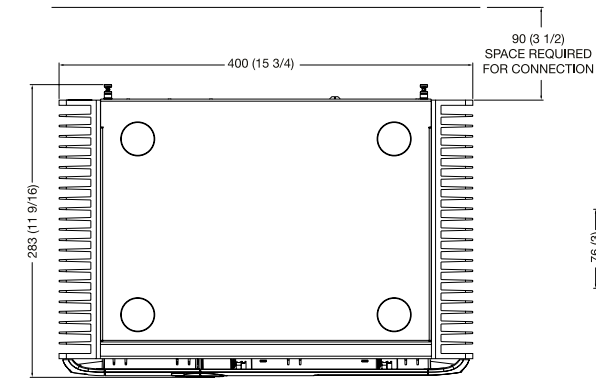
Pos 20 Upgrade

- N** New CIU ordering
- U** Upgrade (Serial number of CIU and License required)

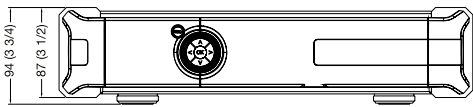
U 5 S F 8 8 8 V 1 S Z Z Z Z Z Z Z Z Z 0 5 Z N
 S F 8 8 8 S Z Z Z Z Z Z Z Z Z 0 5 Z N

Typical Identification Code
 Your Identification Code

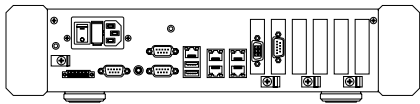
¹ Each tank can be configured with one tank level gauge.



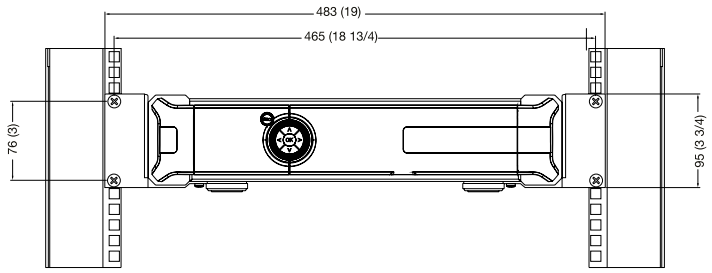
Top view



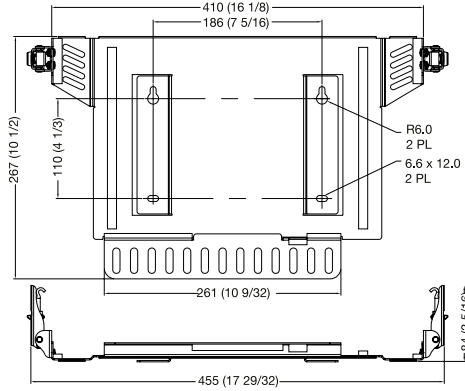
Front view



Rear view



19" rack mounting details



Wall mount bracket

Overall Dimensions

All dimensions in mm (In.)

For More Information

To learn more about Honeywell's Tank Gauging Solutions, visit www.honeywellprocess.com or contact your Honeywell account manager.

Honeywell Process Solutions

1250 West Sam Houston Pkwy
 S. Houston, TX 77042, USA
 Honeywell House, Arlington Business Park
 Bracknell, Berkshire, England RG12 1EB UK
 Shanghai City Centre, 100 Zunyi Road
 Shanghai, China 200051
www.honeywellprocess.com